

RIGMATE 4020 SERIES | ALL WEATHER LIGHTWEIGHT PC

The durable, relatively lightweight mobile PC is equipped with a LED backlit sunlight readable 15" LCD, capacitive touch screen and has the ability to endure extreme temperatures.



STANDARD FEATURES AND BENEFITS

- NEMA 4X rugged aluminum enclosure with special UV tolerant paint finish designed with your harshest environments in mind.
- Class I, II & III, Division 2, Group A-G, Zone 2 NI, EExnA IIC T4, EXII36, complies with ATEX 94/9/EC, to ensure safety in your hazardous areas.
- Portable, weighing only 20 lbs, yet rugged and durable for harsh environments.
- Engineered to withstand high shock and vibration to survive your rig floor, ship, or truck mounted applications.
- Active matrix, transfective LED backlit sunlight readable 15" LCD panel with shatterproof touch screen provide ultimate user interface in all lighting conditions.
- Aluminum fins for heat transfer and cooling.
- Low power 1.91 GHz Intel® Atom™ Quad Core processor allows a fanless design, fully configured with solid state storage, extensive list of I/O ports. This computer is designed to meet your demanding applications while operating at

extreme ambient temperatures.

- Rugged capacitive touch screen provides you with the ultimate operator interface.
- VESA mounting pattern give you the flexibility to choose the option that will best fit your mounting needs.
- Wi-Fi antenna gives you the freedom to be mobile and still connected to the internet.

Call for the latest SBC features.

OPTIONS AND ACCESSORIES

- CPU, RAM, and Solid State Storage upgrades are available.
- Glass-on-glass resistive or projected capacitive touch screen provide you with the ultimate operator interface.
- AC or DC thermo electric heaters available for -40°C operation.
- Moves sealed connectors to bottom gland plate.
- Standard installation of operating systems.
- Battery power supply.

RIGMATE 4020 SERIES SPECIFICATIONS

MATERIAL

Enclosure & Bezel	6061-T6 Aluminum
Viewport	Impact Resistant Capacitive Touch Screen
Design	Portable

PHYSICAL

15"	15.70" Height (H ₁) 13.17" Height (H ₂) 18.33" Width (W) 4.00" Depth (D ₁) 4.70" Depth (D ₂) 9.11" Height (VH) 12.10" Width (VW)
Weight	20 lbs.

ENVIRONMENTAL

Mounting	MIS-D100 (100mm VESA Mounting Pattern) Free Standing with Foot
Operating Temperature	-40° to +65°C (w/Heaters) -20° to +65°C (w/o Heaters)
Storage Temperature	-20° to +75°F
Vibration	IEC68 2-6
Shock	IEC68 2-27
MTBF	60,000 hours

ELECTRICAL

Voltage	90-263 VAC 47-63 Hz or battery
Power (Typical)	25W

FLAT PANEL SPECIFICATIONS

Maximum Resolution	1024x768 (15")
Viewing Angle (Typical HxV)	80°x 80°x 80°x 60°
Brightness	600 nits
Backlight	LED

TOUCHSCREEN SPECIFICATIONS

Technology	Capacitive
Mechanical	Impact Resistant

COMPUTER SPECIFICATIONS*

Motherboard	SBC, Integrated Graphics, 10/100/1000 Mbps Network Interface
Storage (Standard)	25GB Solid State Storage up to 8GB RAM
CPU (Standard)	1.91 GHz Intel® Atom™ Quad Core

*Contact your Daisy Data Displays representative for information on the latest CPU, memory, and hard drive options

CONNECTIONS

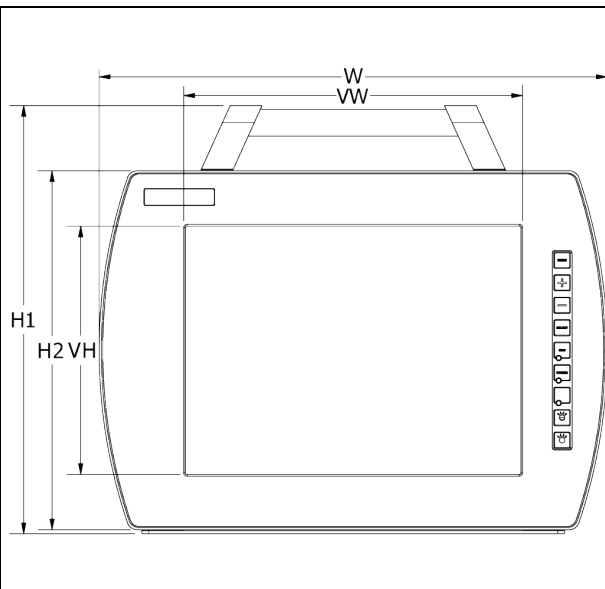
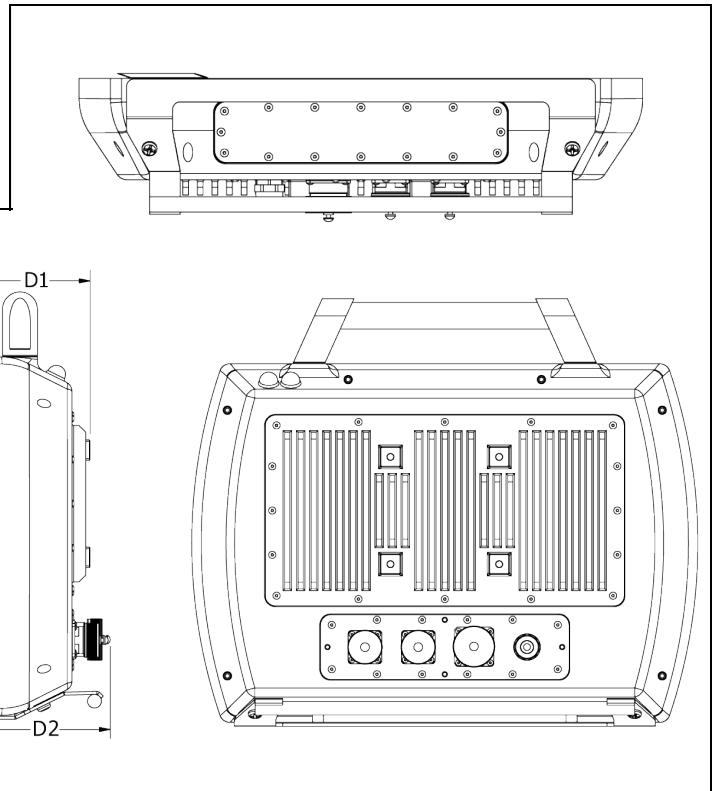
Network	Sealed RJ-45 Connection
Power	Sealed Power Entry
USB	Sealed USB Connection (2)

ORDERING INFORMATION

4023	All-Weather Portable PC w/ AC Power Supply, 15"
-------------	---

OPTIONS AND ACCESSORIES

231	Windows® 7 Pro 32-Bit
233	Glass-on-Glass Resistive Touch Screen
240	Windows® 7 Pro 64-Bit
247B	Adds i7 CPU with 16GB RAM
248	Battery Power
250	Moves Sealed Connectors to Bottom Gland Plate
776	Multi-Touch Projected Capacitive Touch Screen
796	AC Thermo Electric Heater w/ Thermostat Control



*Specifications are subject to change without notice.