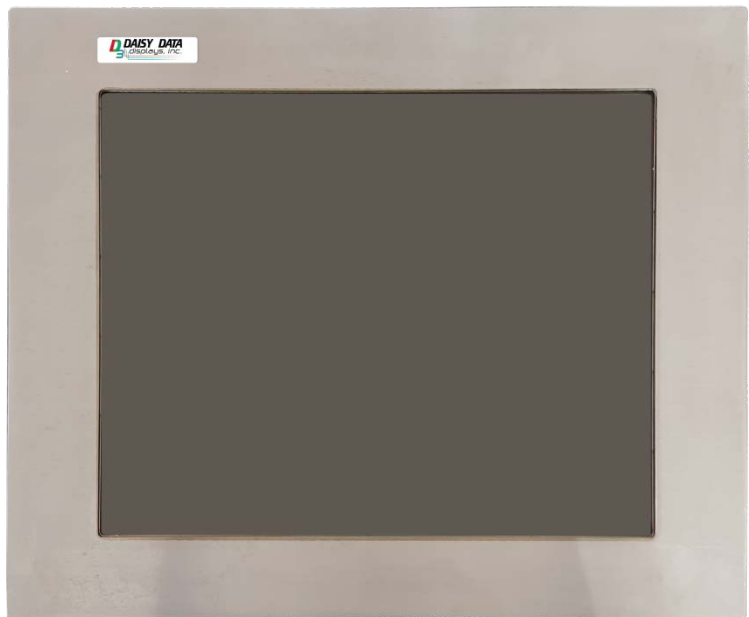




# 7191AB User Manual

---

June 2017



Daisy Data Displays, Inc.  
2850 Lewisberry Road,  
York Haven, PA 17370  
Phone: 717.932.9999



#### **DISCLAIMER**

Daisy Data Displays, Inc. makes no representations or warranties with respect to the contents or use of this manual, and specifically disclaims any express or implied warranties of merchantability or fitness for any particular purpose. Daisy Data Displays, Inc. reserves the right to revise this publication and to make changes to its content, at any time, without obligation to notify any person or entity of such revisions or changes.

Furthermore, Daisy Data Displays, Inc. makes no representations or warranties with respect to any Daisy Data Displays manufactured equipment, and specifically disclaims any express or implied warranties of merchantability or fitness for any particular purpose. Daisy Data Displays, Inc. reserves the right to make changes to any and all Daisy Data Displays manufactured equipment, at any time, without obligation to notify any person or entity of such changes.

#### **FCC WARNING**

Computing devices and peripherals manufactured by Daisy Data Displays generate, use, and can radiate radio frequency energy, and if not installed and used in accordance with the instructions in this manual may cause interference to radio communications. Such equipment has been tested and found to comply with the limits for a Class A computing device pursuant to Subpart J of Part 15 of the FCC Rules, which are designed to provide reasonable protection against radio interference when operated in a commercial environment. Operation of this equipment in a residential area is likely to cause interference, in which case the user - at his own expense - will be required to take whatever measures may be required to correct the interference.

Some components may not have been manufactured by Daisy Data Displays, Inc. If not, Daisy has been advised by the manufacturer of the component that the component has been tested and complies with the Class A computing device limits as described above.

**Daisy Data Displays, Inc.  
2850 Lewisberry Road  
York Haven, PA 17370 USA  
Phone: (717) 932-9999  
Fax: (717) 932-9000  
[www.makeitdaisy.com](http://www.makeitdaisy.com)**

**Manual: D004-000014  
June 2017  
Manual Revision 1**

*Copyright ©2017, Daisy Data Displays, Inc. All rights reserved.*



### Limited Warranty and Liability Statement

To the original purchaser, Daisy Data Displays, Inc., hereinafter referred to collectively as SELLER, warrants each of its manufactured products, and all components therein contained to be free from defects in materials and/or workmanship for a period of 12 months from the date of purchase.

Should a malfunction or other indication of defect attributable directly to faulty materials and/or workmanship occur, Seller will, at its option, and without charge to the customer for labor and parts, repair or replace the defective product, F.O.B. Seller's plant, but Seller will not be responsible for freight from Purchaser to Seller's plant. In no event shall Seller be liable for any loss, inconvenience or damage, whether direct, incidental, consequential or otherwise resulting from abuse, misapplication or modification of the product, improper or faulty power, damage resulting from repairs or alterations performed by unauthorized persons, or conditions resulting from any other equipment attached to the product.

Seller assumes no liability for damage occurring in transit due to the product not being returned in its original shipping material.

This warranty is exclusive and is in lieu of any warranty of merchantability or fitness for a particular purpose or other warranty of quality whether expressed or implied, except of title and against patent infringement. Correction of nonconformities, in the manner and for the period of time provided above, shall constitute fulfillment of all liabilities of the Seller to the Purchaser with respect to, or arising out of the goods, whether based on contract, negligence, strict tort or otherwise.

**LIMITATION OF LIABILITY:** The Seller shall not under any circumstances be liable for special or consequential damages, such as, but not limited to, damage or loss of other property or equipment, loss of profits or revenues, cost of capital, cost of purchased or replacement goods, or claims of customers of Purchaser for service interruptions. The remedies of the Purchaser set forth herein are exclusive, and the liability of Seller respect to any contract, or anything done in connection therewith such as the performance or breach thereof, of from the manufacture, sale, delivery, resale, installation or use of any goods covered by or furnished under this contract whether arising out of contract, negligence, strict tort or breach of warranty or otherwise, shall not, except as expressly provided herein, exceed the price of the goods upon which such liability is based.

This warranty gives you specific legal rights, and you may also have other rights, which vary from state to state. Seller makes every effort to provide clear and accurate technical information on the application of its products in the Operator's Manual, and assumes no liability for misuse of the information.

# 7191AB User Manual

## Table of Contents

1. Introduction .....	1
2. Applicable Ratings.....	1
2.1. Applicable Ratings.....	1
3. Customer Service .....	2
4. Software/Hardware .....	2
5. Specifications .....	3
6. Component Identification.....	5
Figure 1 – Front Panel Touchscreen Display.....	5
Figure 2 –Rear Panel (Connections & Power Cord) .....	6
Figure 3 – Display Enclosure Components.....	7
Figure 4 – Unit Enclosure Components .....	8
7. Replacement Parts List.....	9
7.1. Unit Enclosure (Rear) .....	9
7.2. Display Enclosure (Front).....	9
7.3. Cable Assemblies .....	9
8. Mounting Diagram .....	10
9. Revision History .....	11

## 1. Introduction

Thank you for selecting a Daisy solution for your hazardous area operator interface needs.

This manual contains drawings and component locations for installing and setting up Daisy Data flat panel operator interface systems. In addition, Daisy Data provides warnings, precautions, and methods to ensure that the electronic systems are safe for hazardous areas. This explains the theory behind the unique product and services provided by Daisy Data.

Should you have any inquiries or concerns, please contact Daisy.



## 2. Applicable Ratings

National Electrical Manufacturers Association (NEMA) is the regulatory body that defines the criteria for electrical enclosures.

### 2.1. Applicable Ratings

NEMA defines a 4X enclosure as:

*\*...“Type 4X Enclosures constructed for either indoor or outdoor use to provide a degree of protection to personnel against access to hazardous parts; to provide a degree of protection of the equipment inside the enclosure against ingress of solid foreign objects (windblown dust); to provide a degree of protection with respect to harmful effects on the equipment due to the ingress of water (rain, sleet, snow, splashing water, and hose directed water); that provides an additional level of protection against corrosion; and that will be undamaged by the external formation of ice on the enclosure.”*

Please note that DAISY’s systems have been fully tested under the supervision of Factory Mutual (FM) to ensure compliance with the standards.

\*Part of the NEMA definition of NEMA 4X Enclosures

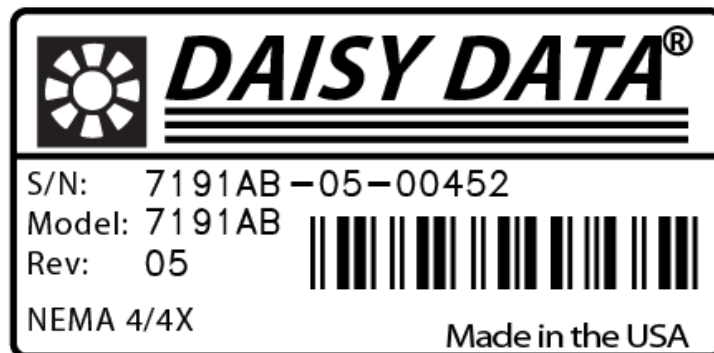
### 3. Customer Service

All Daisy systems pass detailed quality control configuration and inspection before being shipped. Daisy strives to create the highest quality systems, and chooses top quality parts. However, like most electronic devices, units may experience issues over time. Should you experience problems, or have any further inquiries or comments, please contact Daisy's customer service department:

Business Phone (717) 932-9999 x222  
Fax (717) 932-8000  
Email [support@Makeitdaisy.com](mailto:support@Makeitdaisy.com)

Equipment returned to Daisy for service must be accompanied by a valid return merchandise authorization (RMA) number. Items or products shipped to Daisy without a valid RMA number will be refused. An RMA will be generated upon receipt of Company Name, Address, Contact, Product Model and Serial Numbers.

#### Typical Model/Serial Number Tag



Daisy Data Displays Inc. prides itself on offering best in class support for your products. Our technical support team can help you with installation, configuration, troubleshooting, and other support issues for all Daisy's products.

### 4. Software/Hardware

Daisy data should be contacted for any hardware or software questions/issues. Additional SSD's or operating systems can be supplied as needed. Be aware that any modifications or alterations without the assistance of Daisy Data could affect unit certifications and implied warranty.

#### **!! IMPORTANT NOTE ON ORDERING REPLACEMENT PARTS !!**

All Daisy Data Display products undergo continual improvement to ensure they meet the myriad of regulatory standards and codes for equipment operating in hazardous environments. These improvements or modifications may effect Daisy Data products already in the field.

With that in mind, as a customer servicing your own product, it is highly recommended that you contact your Daisy Data Display customer service representative to confirm any part or part number you may be looking to replace. Your Daisy representative will ensure you are getting the correct part, or the possible availability of a suitable replacement part to ensure your equipment continues to meet the standards and/or codes originally intended.

## 5. Specifications

# DISPLAY & X-TERMINAL PANEL MOUNT

## 7191AB SERIES

### Standard Features and Benefits

- Panel mount 18.1" Color Display resolution of 1280x1024 24bpp colors
- Integrated X-terminal X11R6 compatible
- Form Fit and Function backwards compatible with the model 7191AA
- IPv6 and IPv4 compliant
- Serial port forwarding enables and configurable
- Integrated 120VAC Power Supply
- Resistive touch screen and EMI window to meet MIL Std 461D and 462
- Integrated Keyboard & Mouse PS/2 Ports, 100 Base T Network, RS232 Port (DB9), USB 2.0 Ports Qty 4
- Celeron M Processor at 1.3 GHz
- Available Video output, TV & DVI



**D3 DAISY DATA**  
displays, inc.

**717.932.9999**

Fax: 717.932.8000 [www.d3inc.net](http://www.d3inc.net)  
2850 Lewisberry Rd - York Haven, PA 17370

## Specifications

### MATERIAL

#### Front Panel

304 Stainless Steel

#### Viewport

#4 Finish

#### Design

Resistive Touch Screen  
NEMA 4X Faceplate

### PHYSICAL

#### Vibration

5 to 28 Hz @ 1.0G  
Resonance Search  
Dwell 20 min. @  
Resonant

#### Shock

#### EMI/RFI

#### Dimensions

MIL-STD-901D  
MIL-STD-461 & 462  
15.72" Panel Height (H)  
19.00" Panel Width (W)  
5.75" Panel Depth (D)  
11.50" View Height (VH)  
14.33" View Width (VW)

#### Operating Temperature

0 - 115° F

#### Storage Temperature

0 - 140° F

#### Relative Humidity (at front panel)

5 - 95% Non-Condensing

### ELECTRICAL

#### Voltage

120 VAC, 60 Hz

#### Power

100W

### FLAT PANEL SPECIFICATIONS

#### Maximum Resolution

1280x1024

#### Dot Pitch

0.281mm

#### Color Depth

24 bit

#### Viewing Angle (Typical HxV)

80°x80°

#### Brightness (Standard)

200 nits (18.1")

### X-TERMINAL SPECIFICATIONS

#### CPU

Celeron M 1.3 GHz

#### Storage (Standard)

256MB RAM

#### OS

X11R6(Can upgrade  
over the network)

### CONNECTIONS

#### Network

10/100 Base-T (RJ45)  
IPv6 & IPv4 compliant

#### Comport

DB9

#### USB

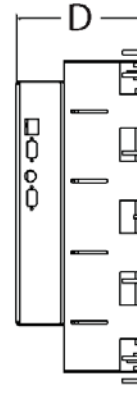
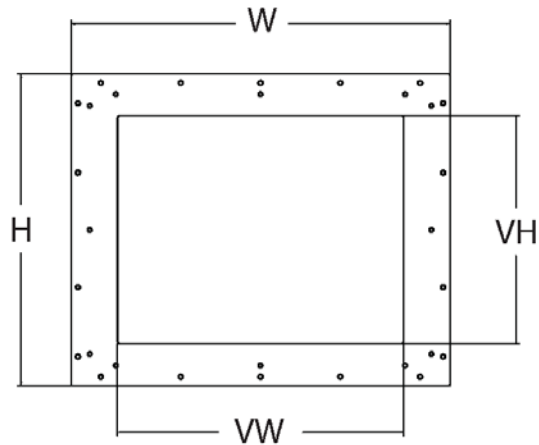
4 USB 2.0

#### Power Connection

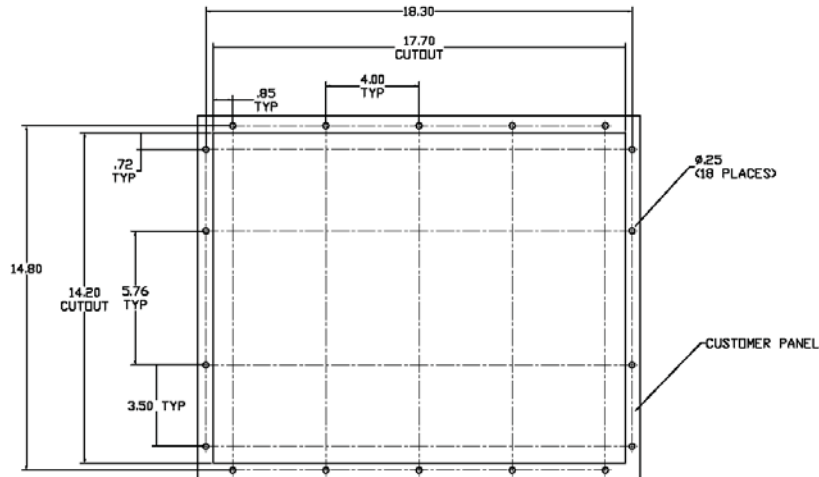
IEC Connection (Cable  
Included)

## ORDERING INFO

7191AB...18.1" Panel Mount Display & X-terminal



## 7191AB Cutout Drawing



\*Specifications are subject to change without notice.



## 6. Component Identification

View the following photos to identify components of the 7191AB unit. For part numbers, go to the [Component Parts List](#) .



**Figure 1 – Front Panel Touchscreen Display**

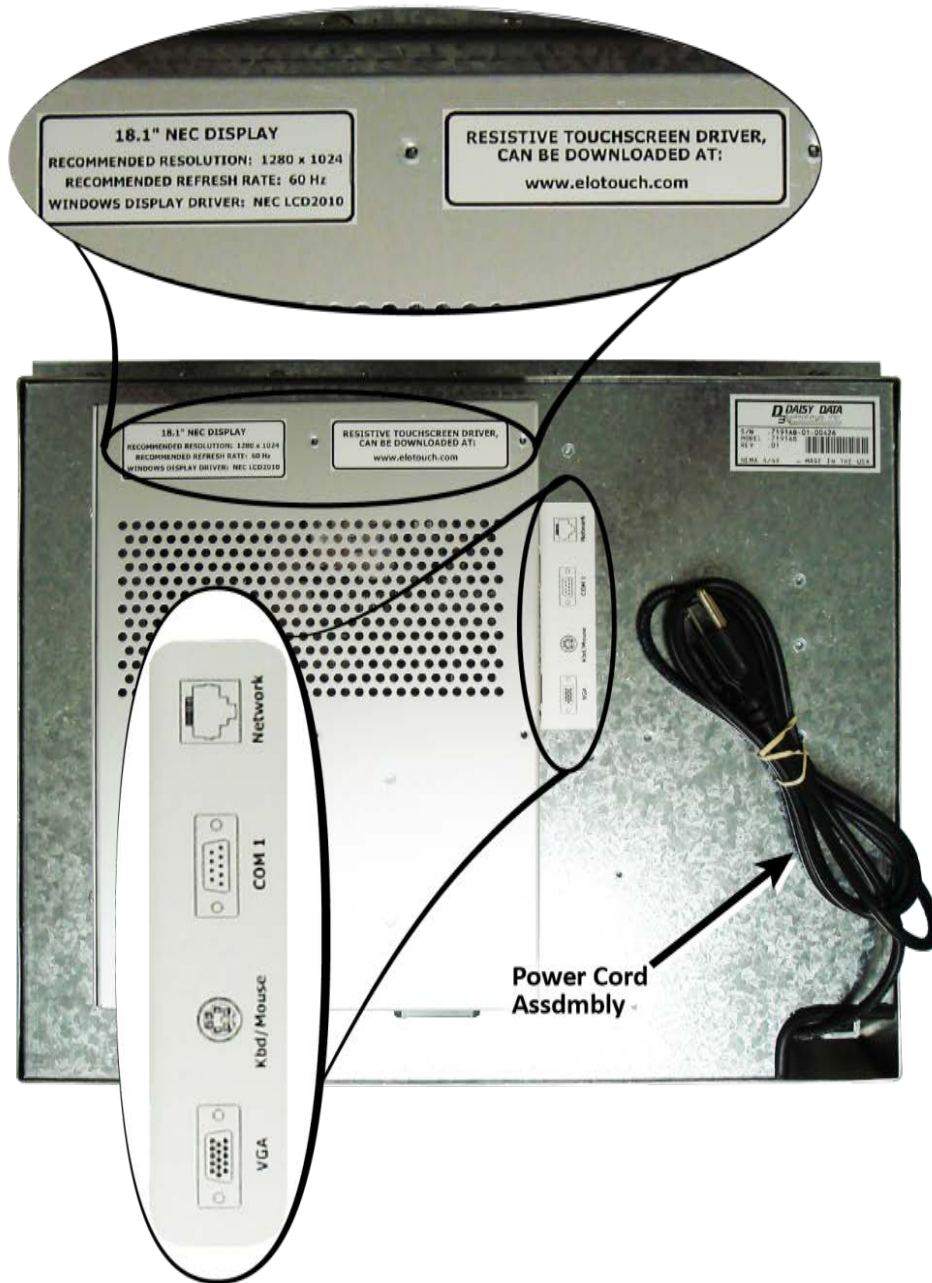


Figure 2 –Rear Panel (Connections & Power Cord)

# 7191 AB Display Enclosure (Front)

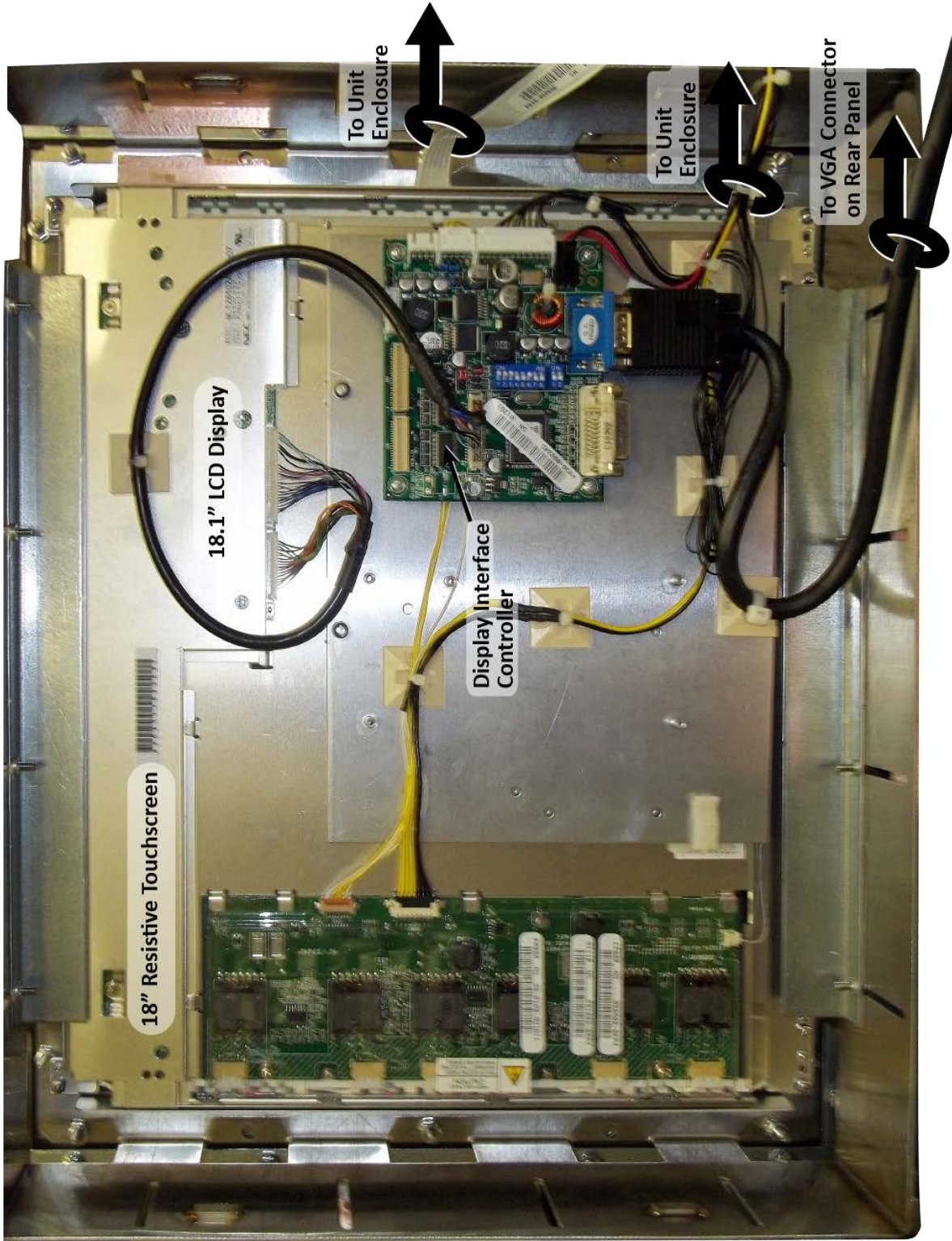


Figure 3 – Display Enclosure Components

# 7191 AB Unit Enclosure (Rear)

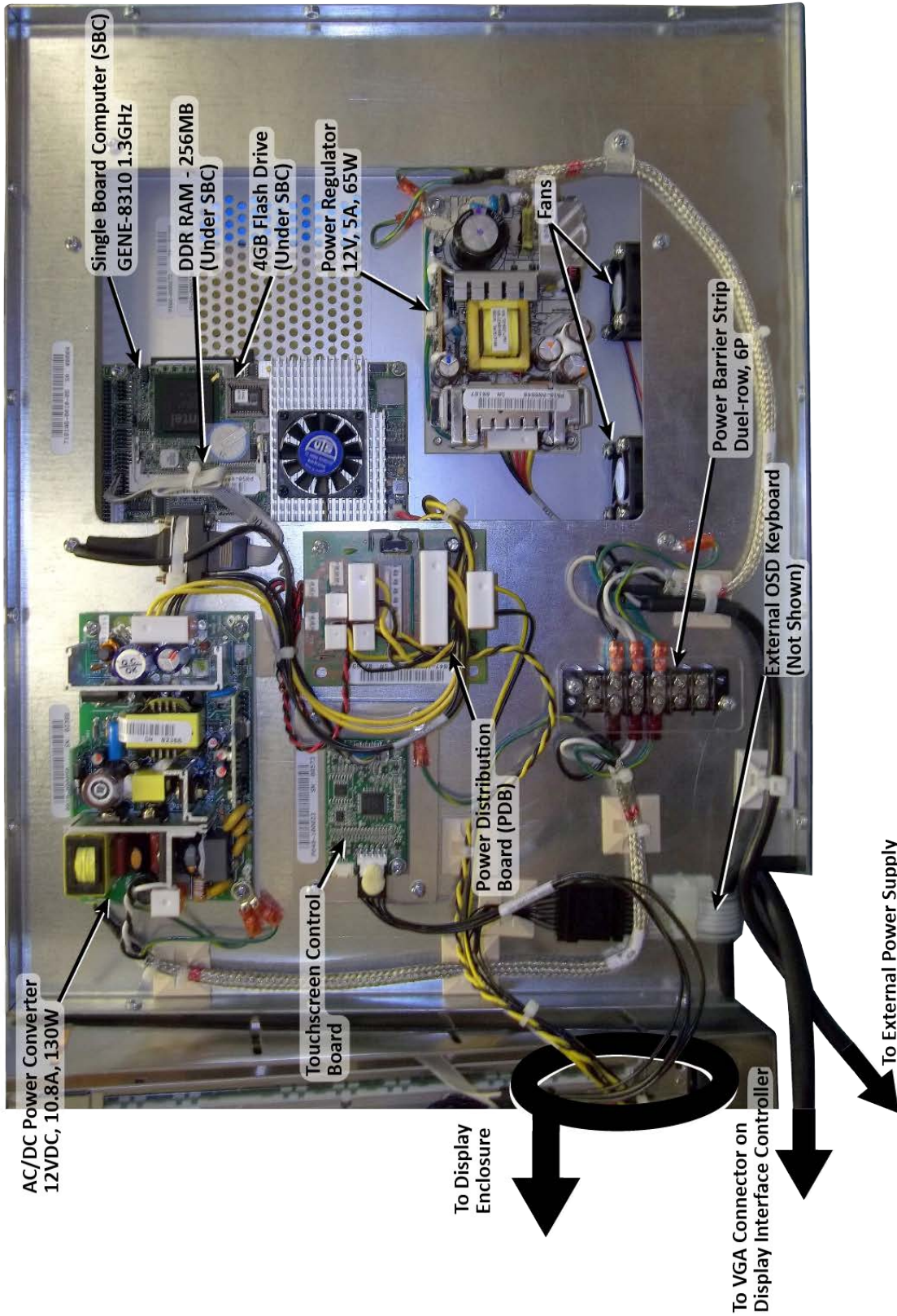


Figure 4 – Unit Enclosure Components

## 7. Replacement Parts List

Should one or more of a unit's major components fail, please refer to the corresponding manufacturer part number when ordering replacements or contacting with D3 customer support.

### 7.1. Unit Enclosure (Rear)

Part Type	Part Number
Single Board Computer GENE-8310 1.3GHz	P050-000236
256M DDR RAM	A311-510256
Power Regulator, 12V, 5A, 65W	P010-000040
FAN,12V,BRUSHLESS	E906-000058
6P Power Barrier Strip	E203-900006
Power Distribution Board	I047-100050
Resistive Serial/USB Touchscreen Controller	P040-100023
Ext. 4SW OSD Keyboard (MENU,-,+ ,SEL)	I301-000029

### 7.2. Display Enclosure (Front)

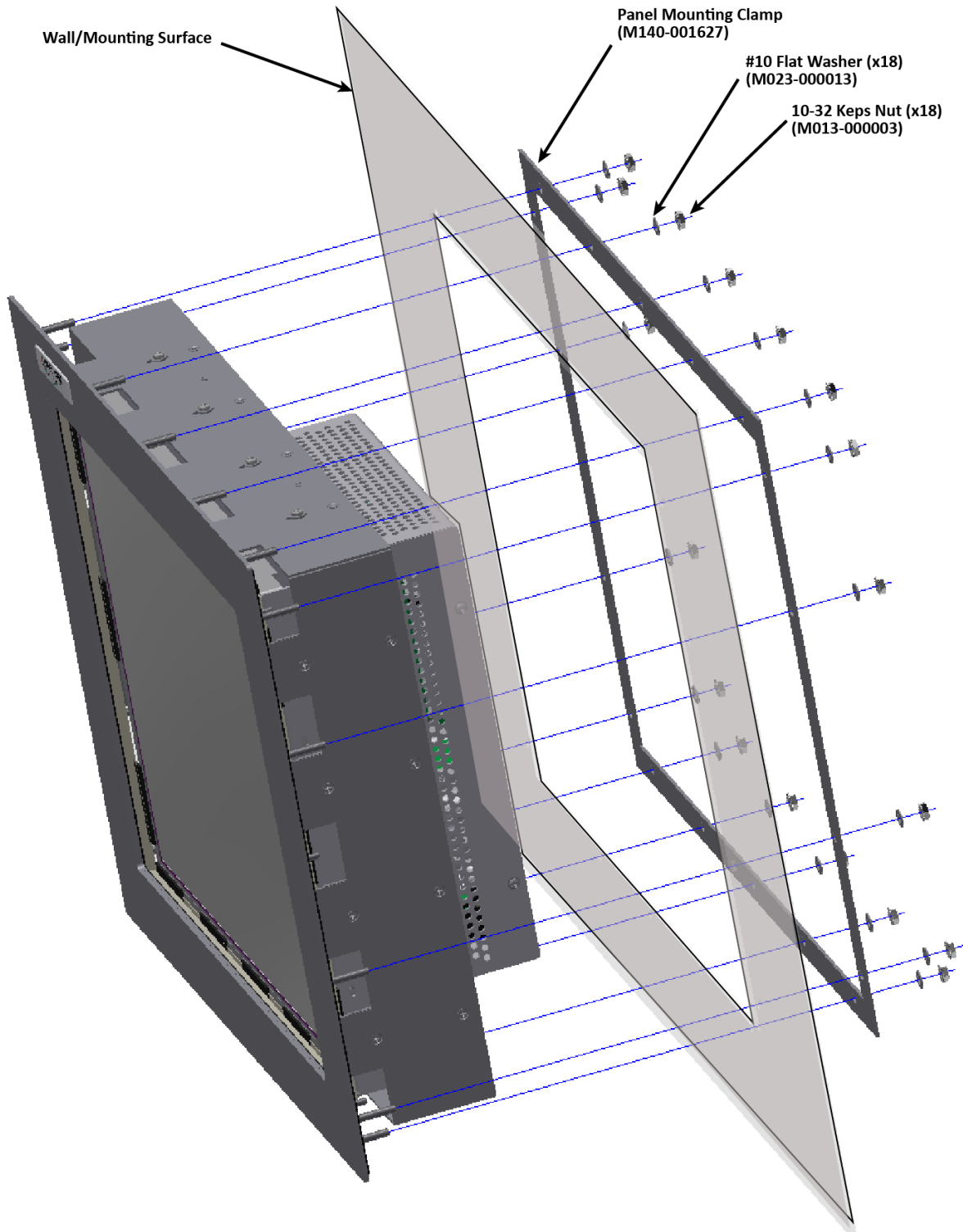
Part Type	Part Number
18.1" LCD DIGITAL Display	P000-000102
18" Resistive Touchscreen	P040-000086
Display Interface Controller, ALR-1400v2	P050-000245-01

### 7.3. Cable Assemblies

Part Type	Part Number
AC Power Cord, 3C, 18AWG, BLACK	E000-030000
MTB6-MTB10, 9"L Cable Assembly	I100-001333-01
MTB3-3xRING, 18"L, w/BR Cable Assembly	I100-001429
12V Power DIGI-VIEW Cable Assembly	I100-001879
MTB6 MTB10 TO MOLEX4 Cable Assembly	I100-001998
SVGA, HD15M-HD15M, 3 FT Cable Assembly	P070-000182
AMP8-JST12, OSD DV, 30"L Cable Assembly	P070-000481
JAE9-JST5, Inverter Cable Assembly	P070-000482
HIROSE8-PIGTAIL, NEC Cable Assembly	P070-000483
LVDS, 18" NEC, ARL-1400 Cable Assembly	P070-000575
Flat DB9M To 2mm HRR Cable Assembly	P070-000614
MTB6-MTB10, 9"L Cable Assembly	I100-001333-01
MTB3-3xRING, 18"L, w/BR Cable Assembly	I100-001429
12V Power DIGI-VIEW Cable Assembly	I100-001879

## 8. Mounting Diagram

Use supplied hardware to mount unit to surface. Refer to the cutout drawing for hole spacing.



## 9. Revision History

REVISION	CHANGE DESCRIPTION	DATE	AUTHOR
-	Initial Release	6/23/2017	BM





